



## HEAVY DUTY FLAT RAIL CARS

### Available Now

Up to three heavy duty privately marked flat rail cars are now available for short or long-term lease. These 235 ton 60' straight flat deck cars are ideal for handling a wide variety of cargo.

*See reverse for car specifications.*

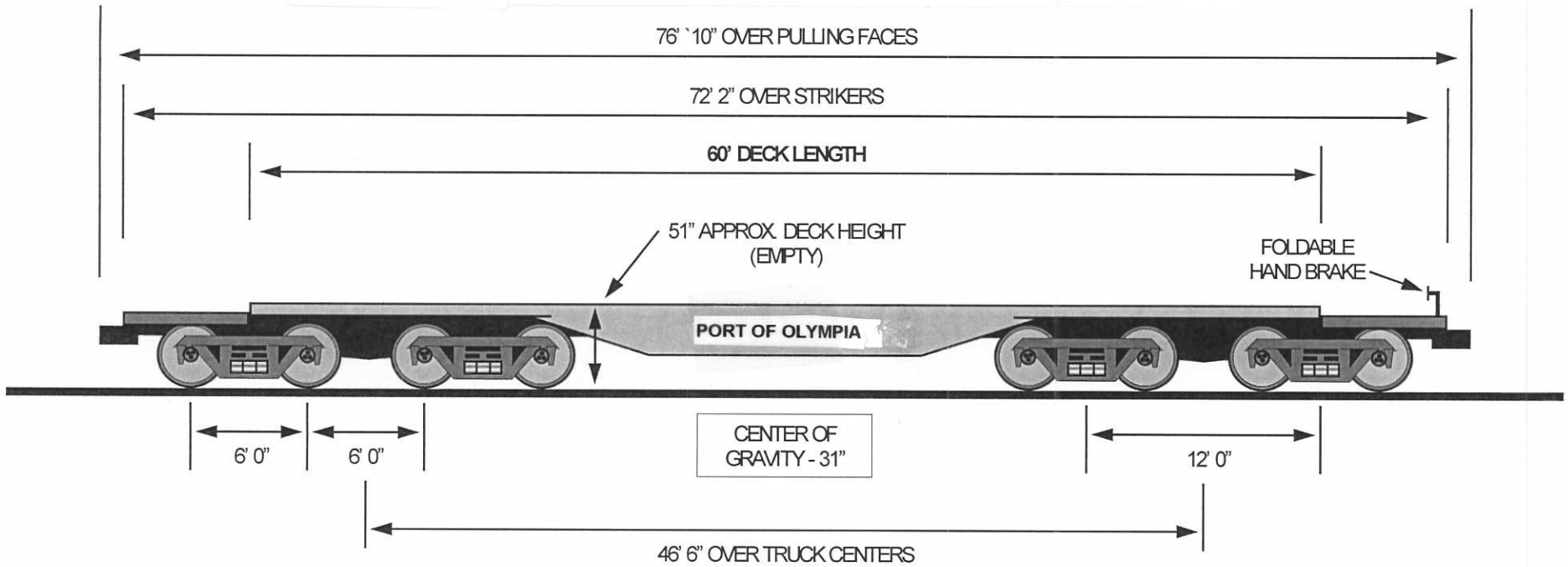
### For More Information

**Kim Kawada**

**KimK@portolympia.com**

**360.528.8033 x3**

# PORT OF OLYMPIA FLATCARS



LENGTH OF LADING (ft)	LOAD LIMITS (lbs)	CAR NUMBERS	LOAD LIMITS (lbs)	LIGHT WEIGHTS (lbs)	MAXIMUM GROSS (lbs)	SPRING TRAVEL (in)	DECK LENGTH (ft-in)	DECK HEIGHT (ft-in)	JOURNAL SIZE BEARING TYPE			
0	379,000	OLYX60950 OLYX60951 OLYX60956 OLYX60956	474,000	160,000	630,000	3 11/16"	60' 0"	4' 3"	7" X 12" ROLLER			
4	396,000					WHEEL DIAMETER (in)	DECK WIDTH (ft-in)	DRAFT GEAR				
8	415,500					38"	10' 8"	15" EOC				
12	435,000											
16	458,000											
18 & OVER	474,000											

**235 Ton - 60' Straight Flat Deck Car**

**GENERAL NOTES:**  
75% of load limit must be concentrated at a maximum distance of 4' 4" from centerline of car.